

REVISIONS					
NO.	DATE	ECN #	REMARKS	BY	APPD.
1	01-22-97		ADDED PORC. NOTES 1 & 4.	BTD	LHE
2	3-18-99		REVISED PORC. & DIMS.	CJT	LHE
3	12-1-99		EDITED DIMENSIONS.	CJT	LHE
4	1-16-02	HJ01-231	REMOVED TORQUE NOTE.	CJT	LHE

NOTES:

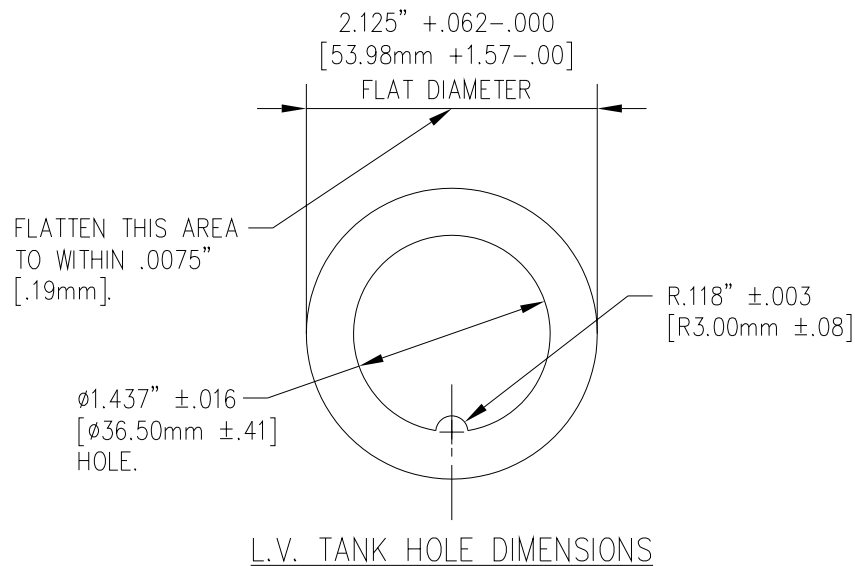
1. INCLUDES TWO EXTRA BRASS NUTS.
2. INCLUDES TWO EXTRA BRASS FLAT WASHERS.

△PORCELAIN NOTES:

1. WET PROCESS ELECTRICAL PORCELAIN
2. GREY GLAZE MUNSELL 5BG 7.0/0.4
3. TOLERANCE ±3% WITH NOTHING LESS THAN ±.03.
4. PORCELAIN IS INSPECTED TO H-J ENTERPRISES' INSPECTION GUIDELINES AND STANDARDS DOCUMENT P0161997

MATERIAL:

- STUD - COPPER CDA 110.
- BODY - CDA 844 TIN PLATED.
- EYEBOLT - CDA 955 TIN PLATED



TOLERANCES (EXCEPT AS NOTED) DECIMAL ± .032"/.8mm FRACTIONAL ± ANGULAR ± 2°			H-J ENTERPRISES, INC. 3010 HIGH RIDGE BLVD. HIGH RIDGE, MO. 63049 USA PHONE 1-636-677-3421 FAX 1-636-376-1915		
	50 KVA L.V. BUSHING ASSEMBLY WET PROCESS PORCELAIN				
	MATERIAL (SEE ABOVE)		CHK'D	APP'D	DRAWING NO.
	DRAWN BY TLH	DATE 8-26-96	SCALE N.T.S.	AS1002-031	